

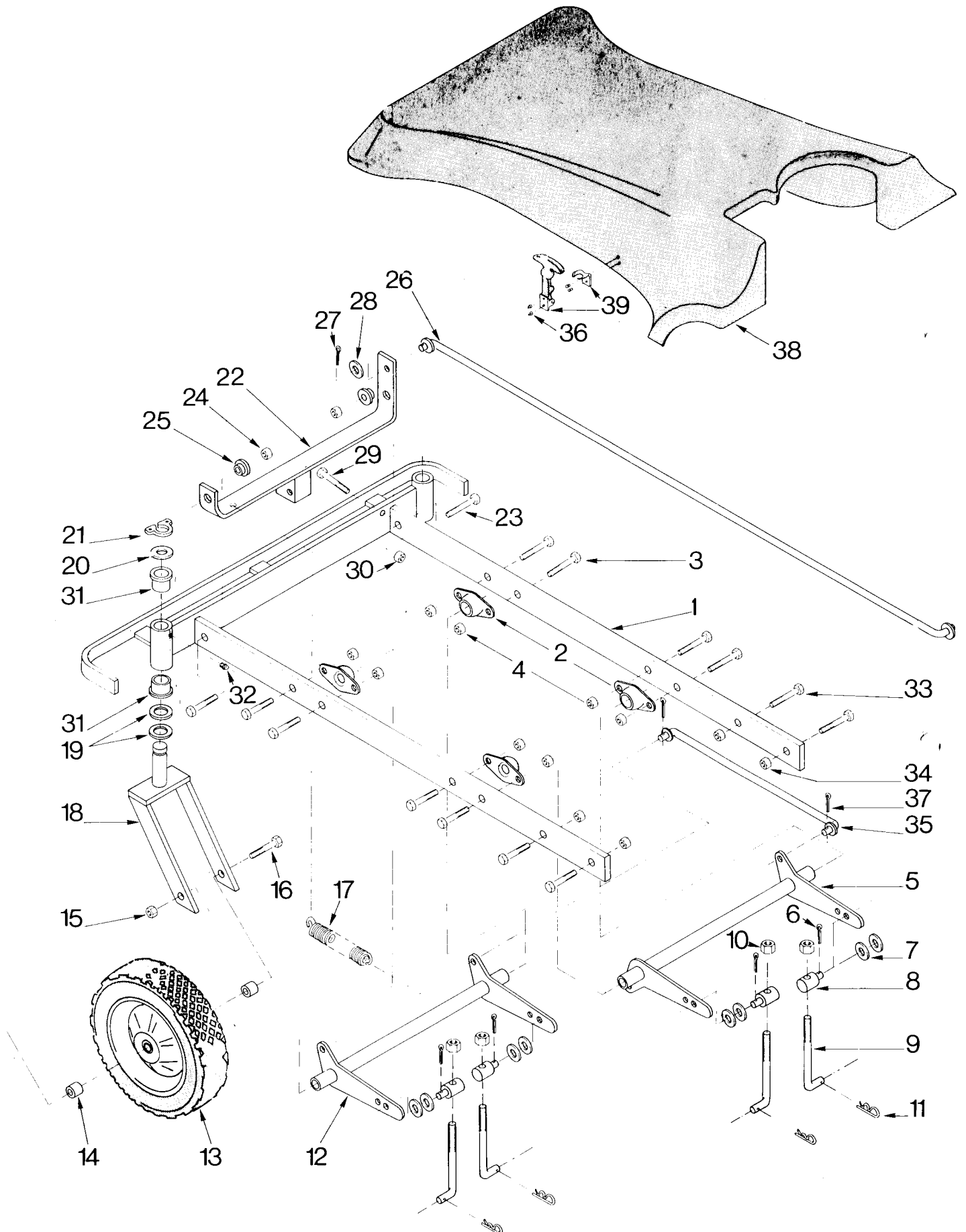
PARTS LIST and INSTRUCTIONS

**WALK BEHIND 2000
04-08BP-01**



WHEEL HORSE
lawn & garden tractors

SECTION 1 : MOWER FRAME



SECTION 1: MOWER FRAME

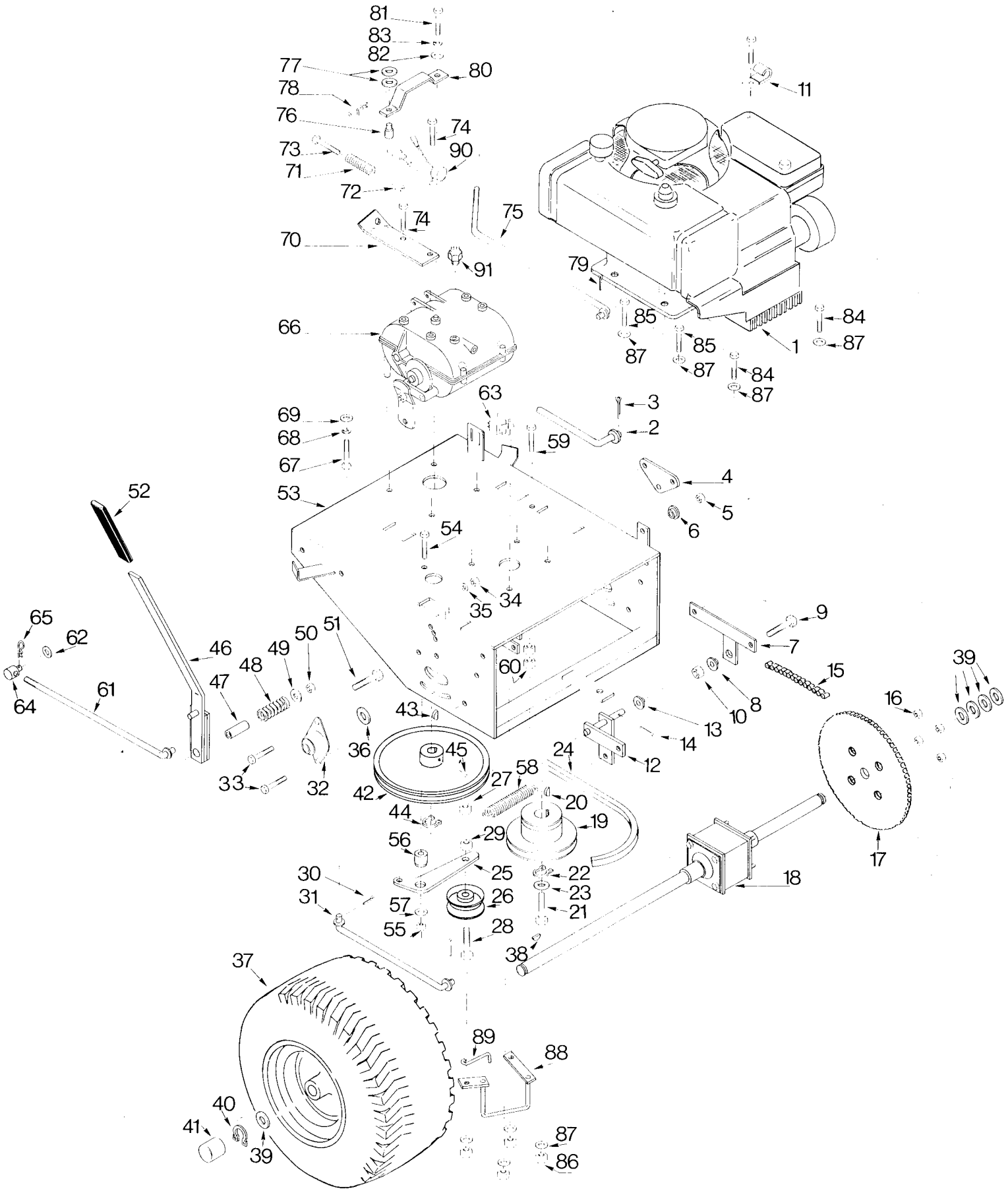
ITEM	PART NO.	DESCRIPTION	NO. REQ. D.
1	78625	1 Assy Mower Frame	1
2	6472	2 Flange Bearings	4
3	908034	3 Bolt Hex $\frac{3}{8}$ — 16 + 1	8
4	915663	4 Nut Hex $\frac{3}{8}$ — 16	8
5	78632	5 Lift Assy Bear	1
6	932008	6 Cotter Pin	4
7	920009	7 Washer	8
8	6739	8 Trunion	4
9	101828	9 Mower Height Adjustment Rod	4
10	915663	10 Nut $\frac{3}{8}$ — 16 Eslok	4
11	933504	11 Hairpin	4
12	78630	12 Lift Assy Front	1
13	78636	13 Front Wheel 207 × 56	2
14	106286	14 Spacer	4
15	915115	15 Nut Eslok	2
16	907069	16 Bolt 42" × 13 — 4	2
17	78637	17 Spring Tension	1
18	78633	18 Assy Spindle Front Wheel	2
19	920250	19 Washer Shim 050	4
20	5210	20 Washer Shim 050	2
21	104822	21 Snap Ring $\frac{3}{4}$ Ext. HD	2
22	78627	22 Mower Brake Pivot Front Assy	1
23	908036	23 Bolt $\frac{3}{8}$ — 16 × 1 $\frac{1}{2}$	2
24	915663	24 Nut Hex $\frac{3}{8}$ — 16	2
25	101765	25 Bushing	2
26	78647	26 Brake Rod Front To Rear	1
27	932008	27 Cotter Pin	2
28	920009	28 Washer	2
29	926701	29 Bolt $\frac{5}{16}$ × 18 — 2	1
30	915112	30 Nut $\frac{5}{16}$ — 18	1
31	106872	31 Bushing	4
32	1030	32 Fitting Grease	2
33	908035	33 Bolt	4
34	915663	34 Nut Eslok	4
35	78654	35 Mower Lift Connection Assy	1
36	923787	36 Pop Rivets	2
37	93008	37 Cotter Pin	2
38	78670	38 Hood	1
39	106825	39 Latch and Clip	2

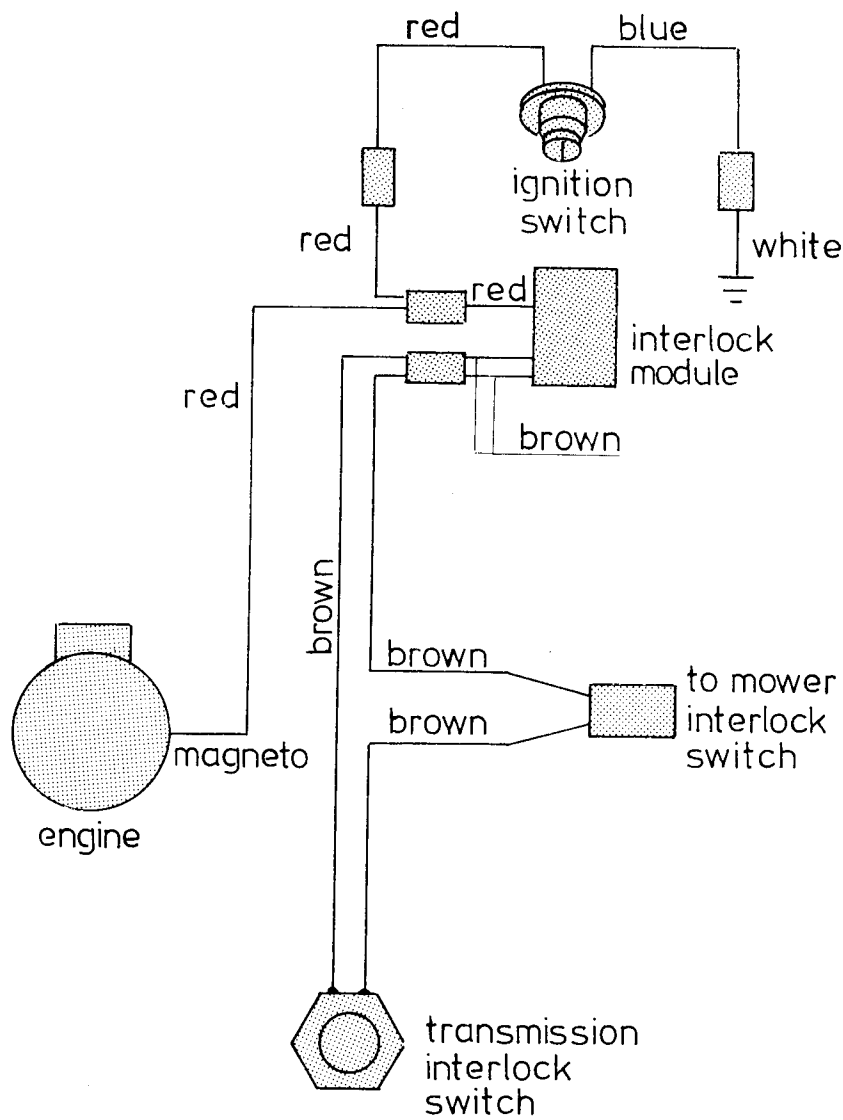
SECTION 2 : ENGINE

ITEM	PART NO.	DESCRIPTION	NO. REQ. D.
1	107809	Engine 8HP — B&S Model 191702 Type 5648-01	1
2	78647	Brake Rod Pivot front to pivot rear	1
3	932008	Cotter Pin	2
4	78662	Mower Brake Pivot Rear Assy	1
5	915113	Nut $\frac{3}{8}$ — 16 Eslok	1
6	78740	Bushing	1
7	78613	Lever Gear Schiff Assy	1
8	78740	Bushing	1
9	908030	Bolt $\frac{3}{8}$ — $16 \times 1\frac{1}{2}$	1
10	915663	Nut Eslok $\frac{3}{8}$ — 16	1
11	8830	Cable Clamp	1
12	78604	Pivot Clutch Assy	1
13	101765	Bushing	1
14	932008	Cotter pin	1
15	78755	Chain 37 smalle schakels	1
16	915112	Nut Eslok $\frac{5}{16}$ — 18	4
17	108608	Sprocket Differential	1
18	108607	Assy Differential	1
19	78621	Pulley Engine	1
20	107025	Key Sq $\frac{1}{4} \times 1\frac{1}{2}$	1
21	908195	Bolt $\frac{7}{16}$ — $20 \times$ Nyllok	1
22	936017	Snap Ring	1
23	78768	Washer $13 \times 40 \times 3$	1
24	78623	Drive Belt Traction	1
25	106424	Idler Arm	1
26	MW 8821	Pulley Idler	1
27	915113	Nut	1
28	908037	Bolt Hex	1
29	915113	Nut	1
30	932008	Cotter Pin	2
31	78841	Rod Extension Clutch	1
32	106981	Bearing Rear Axle	2
33	908032	Bolt	4
34	915113	Nut $\frac{3}{8}$ — 10 Eslok	4
35	920009	Washer	4
36	920250	Shim Washer 050	2
37	107801	Rear Wheel + Tire 13650 — 6	2
38	1120	Key	2
39	920256	Washer Special	9
40	104822	Snapring	2
41	103634	Hub Cap	2
42	78618	Pulley Transmission	1
43	937159	Key Hi — Pro 9	1
44	936121	Snap Ring $\frac{5}{8}$ Ext.	1
45	78620	Set Screw	1
46	78599	Height Adjustment Lever	1
47	78741	Bushing 58 mm	1
48	7602	Compression Spring	1
49	2844	Washer	1
50	915663	Nut	1
51	908043	Bolt	1
52	102597	Handgrip	1
53	78592	Assy Engine Frame	1
54	908038	Bolt Hex	1
55	915663	Nut Eslok	1
56	106203	Pivot Bushing	1
57	5210	Washer	1
58	78615	Spring Tension	1
59	908019	Bolt $\frac{3}{16}$ — 18	1
60	915112	Nut Eslok $\frac{5}{16}$ — 18	2
61	78661	Rod Height Adjustment Lever to Mower Lift	1
62	920009	Washer $\frac{3}{8}$ — $\frac{13}{6}$	1
63	103480	Mower Interlock Switch	1
64	101161	Trunion	1
65	933504	Hairpin	1

ITEM	PART NO.	DESCRIPTION	NO. REQ. D.
66	106907	Transmission Peerless Mod 724A1	1
67	908019	Bolt $\frac{5}{16}$ — $18 \times 1\frac{1}{4}$	1
68	920082	Lockwasher $\frac{5}{16}$	1
69	920008	Washer	1
70	78711	Bracket Safety Reverse	1
71	78736	Spring Safety Reverse	1
72	915663	Nut $\frac{3}{8}$ — 16	1
73	908037	Bolt $\frac{3}{8}$ — $16 \times 1\frac{3}{4}$	1
74	926694	Self Tapping Screw	2
75	78840	Rod Gear Shift to Transmission	1
76	101161	Trunion	1
77	920009	Washer	2
78	933504	Hairpin Cotter	1
79	932008	Cotter Pin	1
80	78611	Bracket Gear Shift	1
81	908153	Bolt $\frac{1}{4}$ — $28 \times \frac{7}{8}$	1
82	920037	Washer $\frac{1}{4}$ US	1
83	920081	Lockwasher $\frac{1}{4}$	1
84	907022	Bolt $\frac{5}{16}$ — 18	3
85	908021	Bolt $\frac{5}{16}$ — 18	1
86	915112	Nut	4
87	920008	Washer	8
88	78889	Belt Guide	1
89	78743	Belt Guide	1
90	107011	Interlock Module	1
91	105877	Interlock Switch Trans.	1

SECTION 2 : ENGINE

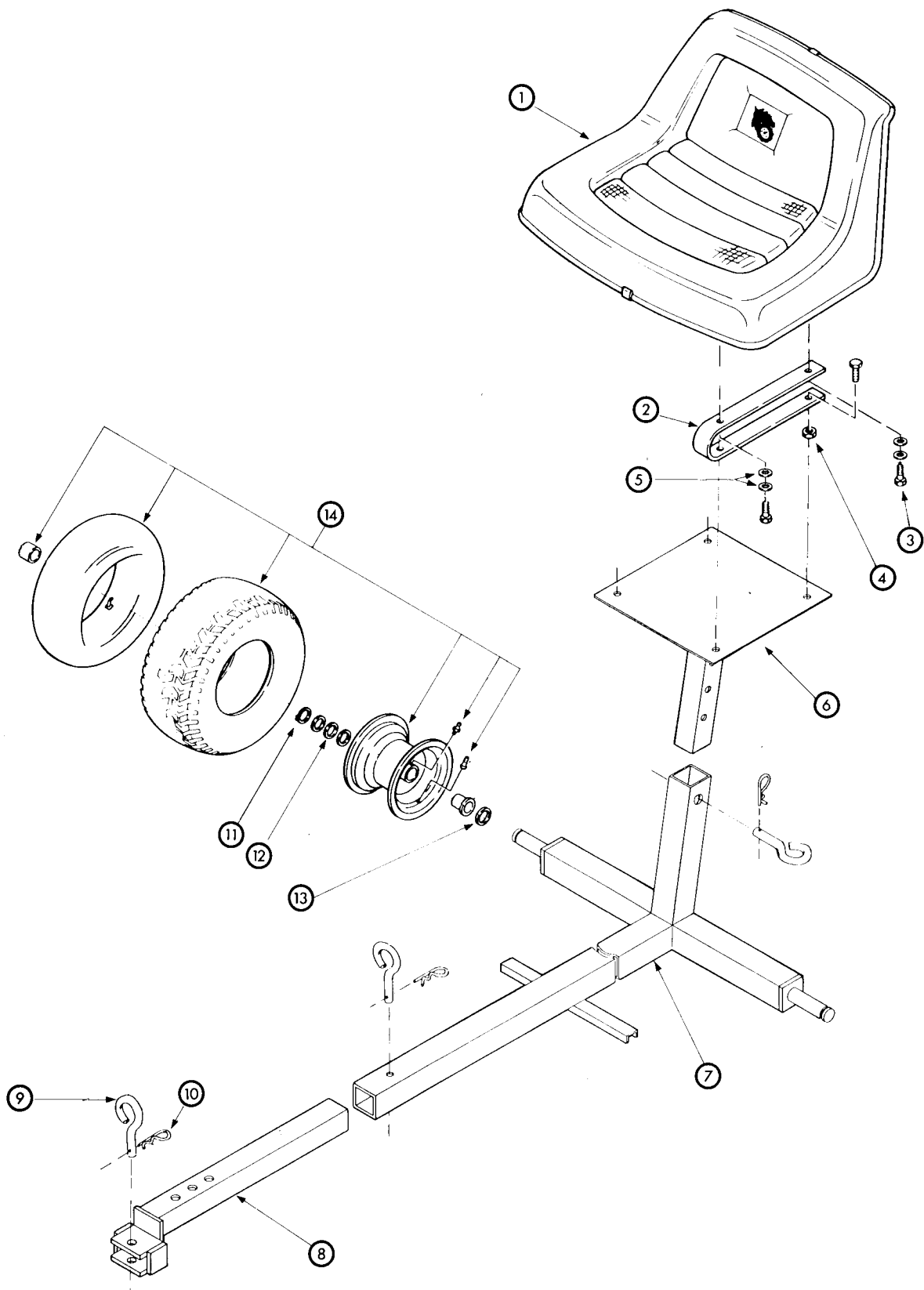




WIRING DIAGRAM WB 2000

SECTION 3 : STEERING HANDLE

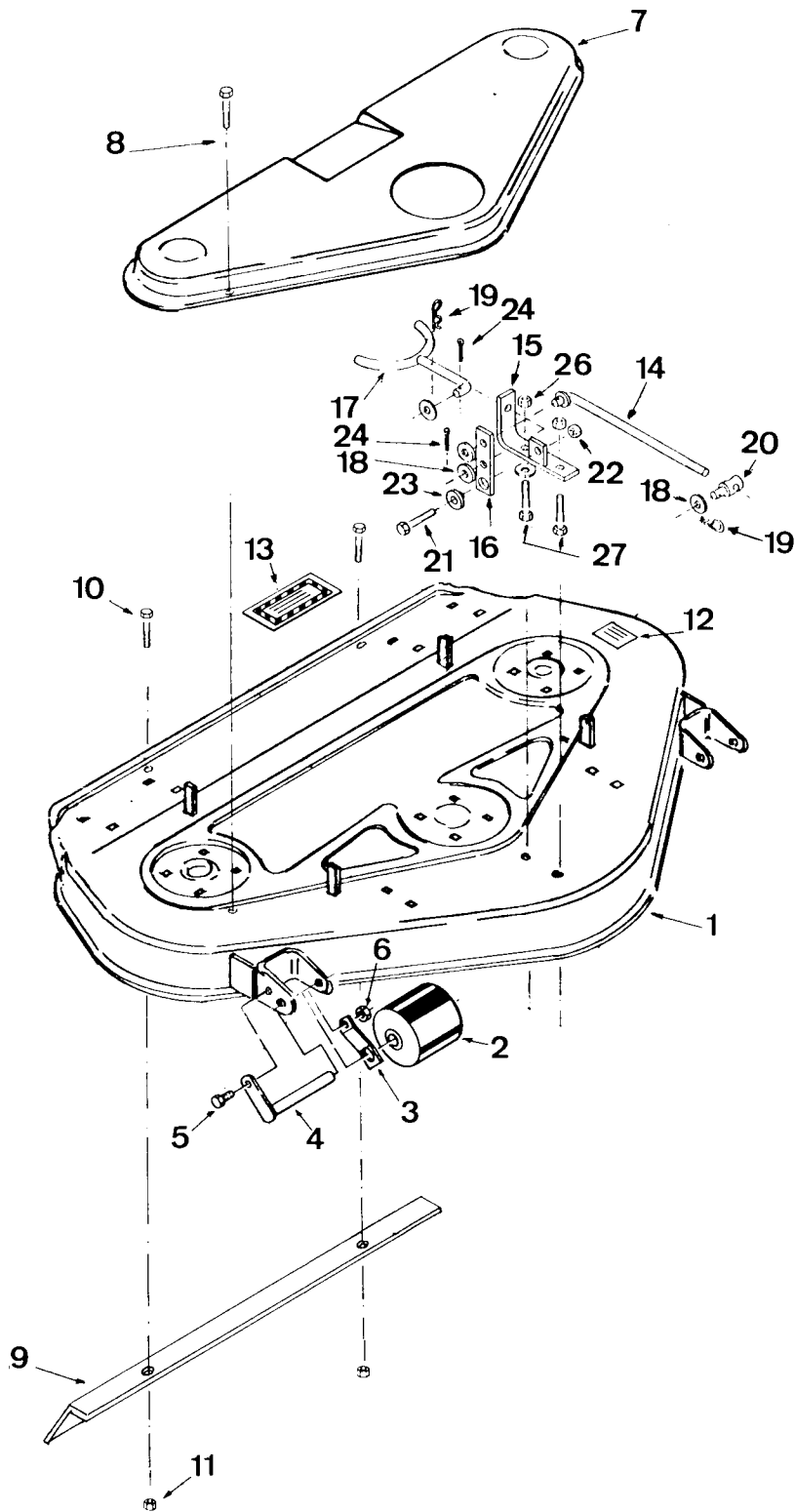
ITEM	PART NO.	DESCRIPTION	NO. REQ. D.
1	79742	Rod Clutch to control panel	1
2	932008	Cotter Pin	2
3	933504	Hairpin	2
4	101161	Trunion	2
5	78732	Rod Gear Shift — to lever assy	1
6	78717	Shift handle assy	1
7	78720	Shift Lever Assy	1
8	78737	Spring Compression	1
9	106615	Spacer	1
10	908021	Bolt $\frac{5}{16}$ — $18 \times 1\frac{1}{2}$	1
11	915112	Nut Eslok $\frac{5}{16}$ — 8	1
12	920211	Washer	1
13	102871	Knob	1
14	78650	Brake Rod — Pivot Rear to handle	1
15	932008	Cotter Pin	2
16	908034	Bolt $\frac{3}{8}$ — $16 \times 1''$	1
17	915113	Nut Eslok $\frac{3}{8}$ — 16	1
18	78740	Bushing	1
19	78651	Mower Brake Handle	1
20	102597	Grip	1
21	78568	Steering Handle	1
22	908034	Bolt $\frac{3}{8}$ — $16 \times 1''$	4
23	915663	Nut Hex $\frac{3}{8}$ — 16	4
24	920083	Washer	4
25	78734	Handgrip	2
26	78667	Clutch Handle Assy	1
27	78715	Axle	1
28	2844	Washer	4
29	78740	Bushing	3
30	78848	Spacer	1
31	78727	Spacer	1
32	78753	Nut Self Locking M10	2
33	78728	Plastic Cap	1
34	6160	Throttle Control Assy	1
35	107045	Throttle Knop	1
36	923787	Pop Rivet	2
37	102820	Switch Ignition	1
38	920160	Lockwasher $\frac{5}{8}$ Int. Tooth	1
39	78676	Wiring Harness	1
40	78754	Harness Throttle Control	1
41	920009	Washer	5



SULKY WB 2000
VEHICLE IDENTIFICATION NUMBER 07-00SW-91

Parts available only through Authorized Dealers.
 When ordering parts always list Part No. and Description.

ITEM NO.	PART NO.	DESCRIPTION	NO. REQ'D
1	105259	Seat	1
2	103145	Spring Seat	2
3	908018	Bolt ⁵ / ₁₆ 18 UNC ⁷ / ₈	8
4	915112	Nut ⁵ / ₁₆ 18	4
5	920008	Washer	8
6	78805	Seat Support	1
7	78796	Sulky Frame	1
8	78809	Hitch	1
9	1813	Pin	3
10	933505	Hairpin	3
11	104822	Snapping	2
12	5210	Washer (0,01)	4
13	920250	Washer (0,05)	4
14	106921	Assy Wheel and Tire	2



REAR DISCHARGE MOWER — 36 IN. (92 cm)

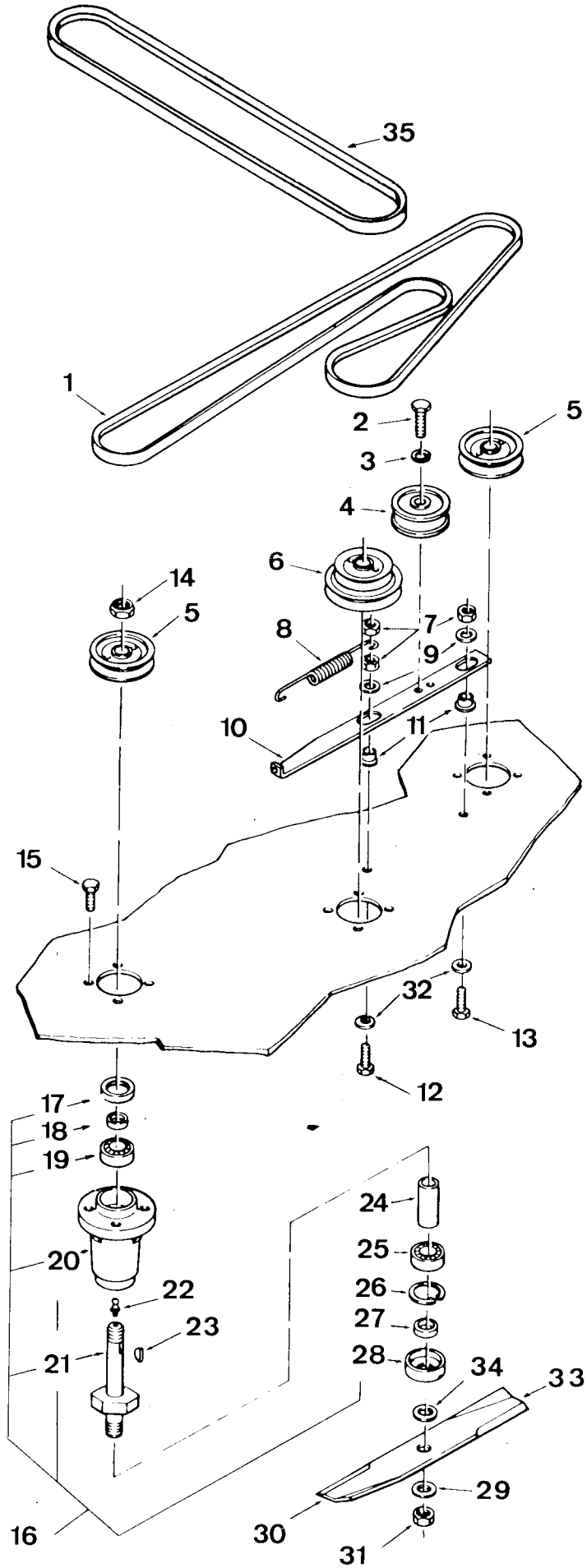
VEHICLE IDENTIFICATION NUMBER 05-36 WR-91

Parts available only through Authorized Dealers.
When ordering parts always list Part No. and Description.

(SPECIFICATIONS SUBJECT TO CHANGE)

Item No.	Part No.	DESCRIPTION	No. REQ'D
1	78658	Assy Mower Deck (weld)	1
2	5240	Assy Roller	2
3	102773	Spring Roller Stop	2
4	102770	Assy Roller Schaft	2
5	908002	Bolt - Hex $\frac{1}{4}$ - 20 \times $\frac{5}{8}$	2
6	915111	Nut - $\frac{1}{4}$ - 20 Eslok	2
7	78750	Mower Cover	1
8	926671	Selftapping screw	7
9	78749	Shute Extension	1
10	908001	Bolt	2
11	915111	Nut	2
12	105206	Decal - Caution	2
13	106740	Decal - Guard	1
14	78638	Mower brake Rod Assy	1
15	78640	Brake lever Bracket Assy	1
16	78643	Mower brake lever	1
17	78644	Mower brake shoe Assy	1
18	920009	Washer	5
19	933512	Hairpin	1
20	101161	Trumiom	1
21	908034	Bolt $\frac{3}{8}$ 16 \times 1"	3
22	915113	Nut $\frac{3}{8}$ 16 Eslok	3
23	101765	Bushing	1
24	932008	Cotterpin	3
25	933504	Hairpin	1
26	908019	Bolt $\frac{5}{16}$	2
27	915662	Nut $\frac{5}{16}$	2

optimal
1.00 - 12 x 1945



REAR DISCHARGE MOWER — 36 IN. (92 cm)

VEHICLE IDENTIFICATION NUMBER 05-36 WR-91

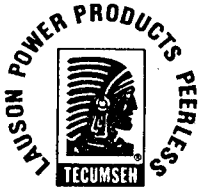
Parts available only through Authorized Dealers.

When ordering parts always list Part No. and Description.

(SPECIFICATIONS SUBJECT TO CHANGE)

Item No.	Part No.	DESCRIPTION	No. REQ'D
1	8411	Belt - 77" Mower	1
2	105865	Bolt - Hex Short HD. $\frac{3}{8}$ - 16 \times 1 $\frac{1}{4}$	1
3	920083	Washer - lock $\frac{3}{8}$	1
4	7434	Pulley - Flat idler	1
5	106072	Pulley - Side	2
6	107439	Pulley - Center	1
7	915663	Nut - Hex $\frac{3}{8}$ - 16 Elastic	3
8	100071	Spring	1
9	2844	Washer	2
10	106120	BAR - Idler Support	1
11	107674	Spacer - bushing	2
12	908037	Bolt Hex $\frac{3}{8}$ - 16 \times 1 $\frac{3}{4}$	1
13	908035	Bolt Hex $\frac{3}{8}$ - 16 \times 1 $\frac{3}{4}$	1
14	915640	Nut - Hex $\frac{3}{4}$ jam ES	1
15	908032	Bolt Hex $\frac{3}{8}$ - 16 \times $\frac{3}{4}$ Eslok	12
16	108470	Assy Spindle	3
17	106075	Seal	1
18	106070	Spacer seal	1
19	106085	Bearing-ball (top)	1
20	107448	Housing Spindle	1
21	107446	Assy spindle shaft	1
22	4459	Fitting Grease	3
23	937156	Key - HI PRO $\frac{3}{16}$ \times $\frac{5}{8}$	3
24	107445	Spindle Spacer	3
25	106084	Bearing-ball (Bottom)	1
26	936028	Snapping - Internal	1
27	107068	Spacer blade	1
28	106067	Cup Spindle	1
29	920258	Washer $\frac{3}{4}$ SAE	3
30	107435	Blade - side 12"	2
31	915090	Nut - Hex $\frac{3}{4}$ - 16	3
32	107675	Washer	2
33	107436	Blade - Center 14"	1
34	920257	Washer	3
35	78624	Drive Belt	1

versnellingsbak WB 2000



**TECUMSEH PRODUCTS COMPANY
ENGINE AND GEAR SERVICE DIVISION**

GRAFTON, WISCONSIN 53024

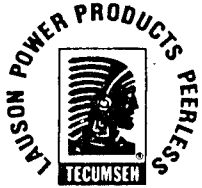
FILE IN:
DIVISION 8
SECTION B
Issued November 1973
Revised October 1983

PEERLESS "700" SERIES TRANSMISSIONS

700, 700-A, 701, 702, 702-A, 703, 703-A, 704, 704-A, 705, 706, 706-A, 707, 708, 708-A,
708-B, 709, 709-A, 710, 710-A, 713, 713-A, 714, 714-A, 715, 715-A, 716, 717, 717-A, 718,
718-A, 719, 719-A, 720, 720-A, 721, 722, 722-A, 723, 723-A, 724, 724-A, 725, 726, 727,
730, 731, 732, 733, 733-A, 734, 735, 737, 739, 740, 742, 743, 744, 745, 746, 747, 748, 749,
750, 750-A, 751, 751-A, 752, 753, 754, 754-A, 755, 756, 758, 758-A, 760, 761, 762, 763,
764, 766, 767, 768, 769, 770, 771, 771-A, 772, 773, 774, 775, 776, 777, 778, 779, 781, 782,
783

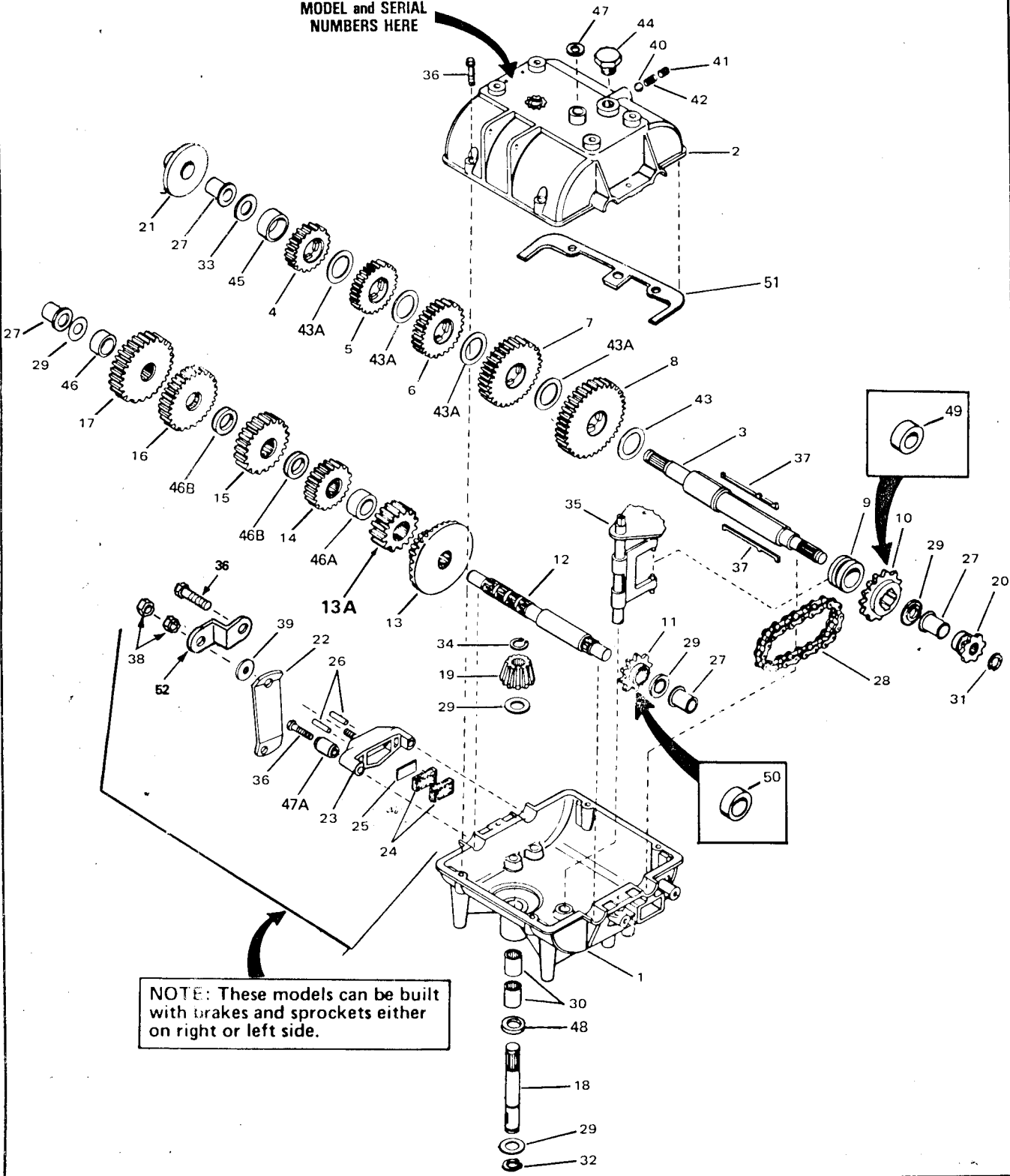
FILE IN:
 DIVISION 8
 SECTION B
 Issued November 1973
 Revised October 1983

TECUMSEH PRODUCTS COMPANY
ENGINE AND GEAR SERVICE DIVISION
 GRAFTON, WISCONSIN 53024



PEERLESS "700" SERIES TRANSMISSIONS

ILLUSTRATION SHOWS TYPICAL PARTS ONLY. ORDER BY PART NUMBER. PARTS NOT LISTED ARE SUPPLIED BY OEM.





TECUMSEH PRODUCTS COMPANY ENGINE AND GEAR SERVICE DIVISION

GRAFTON, WISCONSIN 53024

FILE IN:
DIVISION 8
SECTION B
Issued November 1973
Revised October 1983

PEERLESS "700" SERIES TRANSMISSIONS

Ref. No.	Part No.	Part Name	Ref. No.	Part No.	Part Name
1	770061	Case, Transmission All Models <u>except</u> 737, 754, 754-A, 771, 771-A	7	778124A	Gear, Spur (30 teeth) Models 700 thru 710-A, 713 thru 721, 723 thru 724-A, 726, 727, 730 thru 735, 737, 739, 740, 743 thru 752, 754, 754-A, 758, 758-A, 761 thru 764, 766 thru 770, 772 thru 779, 781, 782, 783
1	770064	Case, Transmission Model 737, 754, 754-A, 771, 771-A	8	778125	Gear, Spur (35 teeth) Models 700 thru 703-A, 705 thru 710-A, 713 thru 715-A, 717 thru 718-A, 720 thru 727, 730 thru 735, 737, 739, 740, 742, 744, 745, 748 thru 754, 755, 756, 760 thru 764, 767, 769 thru 779, 781, 782, 783
2	772083	Cover, Transmission Models 700, 702-A, 703-A, 704-A, 705, 706-A, 707, 708-A, 708-B, 709-A, 710-A, 713-A, 714-A, 716, 717-A, 719-A, 720-A, 721, 722-A, 723-A, 724-A thru 727, 730 thru 735, 737, 739, 740, 742 thru 756, 758, 758-A, 760 thru 764, 766 thru 779, 781, 782, 783	8	778146A	Gear, Spur (37 teeth) Models 746, 747, 748, 754-A, 758, 758-A, 768, 782
2	772070	Cover, Transmission Models 700-A, 701, 702, 703, 704, 706, 708, 709, 710, 713, 714, 715, 715-A, 717, 718, 718-A, 719, 720, 722, 723, 724	9	784266	Collar All Models <u>except</u> 737
3	776161	Shaft, Output & brake Models 700, 700-A, 702 thru 703-A, 705 thru 708-B, 710, 710-A, 713, 713-A, 720, 720-A, 721, 723 thru 724-A, 726, 727, 730, 732, 734, 735, 744, 745, 746, 750, 750-A, 752, 754, 754-A, 762, 763, 764, 767, 770, 772, 778, 779, 781, 782, 783	9	784216	Collar Model 737
3	776164	Shaft, Output & brake Models 701, 709, 709-A, 715, 715-A, 717 thru 718-A, 740, 751, 751-A, 758, 758-A, 773, 776	10	786060	Sprocket (14 teeth) Models 700, 701, 702, 703, 704, 705, 706, 707, 708, 709, 710, 713, 714, 715, 716, 717, 718, 719, 720, 722, 723, 724, 726, 734, 735, 742, 744, 745, 746, 750, 750-A
3	776162	Shaft, Output & brake Models 704, 704-A, 719, 719-A, 722, 722-A, 725, 742, 743, 749, 753, 755, 756, 766, 768, 771, 771-A	10	786083	Sprocket (18 teeth) Models 700-A, 702-A, 703-A, 704-A, 706-A, 708-A, 708-B, 709-A, 710-A, 713-A, 714-A, 715-A, 717-A, 718-A, 719-A, 720-A, 722-A, 723-A, 724-A, 730 thru 733A, 737, 739, 740, 743, 747, 748, 749, 751 thru 756, 758, 758-A, 760, 761, 762, 764, 766, 767, 768, 770 thru 779, 781, 782, 783
3	776166	Shaft, Output & brake Models 714, 714-A, 731, 777	11	786061	Sprocket (10 teeth) Models 700, 701, 702, 703, 704, 705, 706, 707, 708, 709, 710, 713, 714, 715, 716, 717, 718, 719, 720, 722, 723, 724, 726, 734, 735, 742, 744, 745, 746, 750, 750-A
3	776171	Shaft, Output & brake Models 716, 733, 733-A, 737, 760, 761, 774, 775	11	786082	Sprocket (9 teeth) Models 700-A, 702-A, 703-A, 704-A, 706-A, 708-A, 708-B, 709-A, 710-A, 713-A, 714-A, 715-A, 717-A, 718-A, 719-A, 720-A, 722-A, 723-A, 724-A, 730 thru 733A, 737, 739, 740, 743, 747, 748, 749, 751 thru 756, 758, 758-A, 760, 761, 762, 764, 766, 767, 768, 770 thru 779, 781, 782, 783
3	776197	Shaft, Output & brake Models 739, 748	12	776134	Shaft, Counter
3	776206	Shaft, Output & brake Model 747	13	778109	Gear, Bevel (42 tooth & 15 tooth) All Models <u>except</u> 722, 722-A, 725, 733, 733-A, 737, 742, 746, 747, 748, 749, 753, 754-A, 755, 756, 758, 758-A, 760, 761, 768, 771, 771-A, 774, 775, 782
3	776217	Shaft, Output & brake Model 769	13	778137A	Gear, Bevel (42 teeth) Models 722, 722-A, 725, 733, 733-A, 737, 742, 746, 747, 748, 749, 753, 754-A, 755, 756, 758, 758-A, 760, 761, 768, 771, 771-A, 774, 775, 782
4	778121A	Gear, Spur (20 teeth) Models 700 thru 710-A, 713 thru 721, 723 thru 725, 727 thru 733-A, 735, 737, 739, 740, 743, 746, 750 thru 756, 758, 758-A, 761, 762, 764 thru 770, 772, 773, 774, 776, 778, 779, 781, 783	13A	778145	Gear, Spur (12 teeth) Models 746, 747, 748, 754-A, 758, 758-A, 768, 782
5	778122A	Gear, Spur (22 teeth) Models 700 thru 703-A, 706 thru 708-B, 710, 710-A, 714 thru 715-A, 718, 718-A, 720, 720-A, 722, 722-A, 724, 724-A, 727, 730, 731, 734, 735, 739, 740, 745 thru 752, 754, 754-A, 758, 758-A, 760, 761, 762, 764, 767, 770, 772, 773, 775, 776, 778, 779, 781, 782, 783			
6	778123A	Gear, Spur (25 teeth) Models 700 thru 710-A, 713 thru 727, 730, 731, 732, 734, 735, 739, 740, 742 thru 746, 748, 750 thru 756, 758, 758-A, 760, 762, 763, 764, 766, 767, 769 thru 774, 776 thru 779, 781, 782, 783			

FILE IN:
 DIVISION 8
 SECTION B
 Issued November 1973
 Revised October 1983

TECUMSEH PRODUCTS COMPANY
ENGINE AND GEAR SERVICE DIVISION
 GRAFTON, WISCONSIN 53024



PEERLESS "700" SERIES TRANSMISSIONS

Ref. No.	Part No.	Part Name	Ref. No.	Part No.	Part Name
14	778126A	Gear, Spur (20 teeth) All Models <u>except</u> 722, 722-A, 725, 742, 753, 755, 756, 760, 771, 771-A	21	790003	Disk, Brake All Models <u>except</u> 701, 709, 709-A, 714 thru 718-A, 726, 731, 733, 733-A, 734, 735, 737, 740, 743 thru 748, 751, 751-A, 758, 758-A, 760, 761, 768, 773 thru 777
14	778136	Gear, Spur (15 teeth) Models 722, 722-A, 725, 733, 733-A, 737, 742, 749, 753, 755, 760, 761, 771, 771-A, 774, 775	22	790004	Lever, Brake Models 700, 700-A, 710, 710-A, 719 thru 720-A, 767, 772
14	778151	Gear, Spur (15 teeth) Models 748, 782	22	790012	Lever, Brake Models 702, 702-A
15	778127A	Gear, Spur (25 teeth) All Models <u>except</u> 733, 733A, 747, 749, 768, 775	22	790008	Lever, Brake Models 703, 703-A, 707, 713, 713-A, 721, 725, 727, 739, 764, 769, 779
16	778128A	Gear, Spur (28 teeth) Models 700 thru 703-A, 706 thru 708-B, 710, 710-A, 714 thru 715-A, 718, 718-A, 720, 720-A, 722, 722-A, 724, 724-A, 727, 730, 731, 734, 735, 739, 740, 745 thru 752, 754, 754-A, 758, 758-A, 760, 761, 762, 764, 767, 770, 772, 773, 775, 776, 778, 779, 781, 782, 783	22	790013	Lever, Brake Models 704 thru 706-A, 708, 708-A, 708-B, 722, 722-A, 730, 750, 750-A, 756, 763, 766, 770, 782
17	778129A	Gear, Spur (30 teeth) All Models <u>except</u> 722, 722-A, 726, 734, 737, 742, 744, 745, 747, 748, 749, 760, 761, 763, 766, 771, 771-A, 775, 777, 782	22	790023	Lever, Brake Models 723, 723-A, 732, 742, 755
18	776135	Shaft, Input Models 700, 700-A, 702 thru 710-A, 713, 713-A, 715, 715-A, 716, 719 thru 720-A, 722 thru 725, 727, 731, 732, 733, 733-A, 737, 739, 740, 743, 749 thru 756, 758, 758-A, 760 thru 764, 766, 768 thru 779, 781, 782, 783	22	790024	Lever, Brake Models 724, 724-A, 749, 752
18	776140	Shaft, Input Models 701, 714, 714-A, 717 thru 718-A, 721, 767	22	790026	Lever, Brake Models 753, 754, 754-A
18	776143	Shaft, Input Models 726, 730, 734, 735	22	790029	Lever, Brake Model 762
18	776199	Shaft, Input Model 742	22	790031	Lever, Brake Model 778
18	776203	Shaft, Input Models 744, 745, 746	22	790032A	Lever, Brake Models 771, 771-A
18	776158	Shaft, Input Models 747, 748	22	790033	Lever, Brake Model 781
19	778113A	Bevel Pinion, Input	22	790034	Lever, Brake Model 783
20	786047	Sprocket (8 teeth) Models 700, 700-A, 702, 702-A, 704, 704-A, 705, 707 thru 710-A, 713, 713-A, 715, 715-A, 716, 719 thru 722-A, 730 thru 733A, 737, 740, 742, 750, 750-A, 753 thru 756, 762, 764, 766, 771, 771-A, 773, 777, 778, 779	23	790005	Holder, Brake pad Models 700, 700-A, 702 thru 708-B, 710, 710-A, 713, 713-A, 719 thru 725, 727, 730, 732, 742, 749, 750, 752, 755, 756, 762, 763, 764, 766, 767, 769, 770, 772, 778, 779, 781, 782, 783
20	786049	Sprocket (8 teeth) Models 701, 703, 703-A, 706, 706-A, 714, 714-A, 724, 724-A, 726, 734, 735, 744, 745, 746, 749, 752, 767, 775, 776, 782	23	790025	Holder, Brake pad Models 739, 750-A
20	786077	Sprocket (7 teeth) Models 723, 723-A, 725, 727	23	790020	Holder, Brake pad Models 753, 754, 754-A, 771, 771-A
20	786048	Sprocket (8 teeth) Models 743, 770	24	790006	Pad, Brake
20	786076	Sprocket (10 teeth) Models 763, 769	25	790007	Plate, Brake pad
20	786095	Sprocket (12 tooth) Models 768, 795	26	786026	Pin, Dowel All Models <u>except</u> 701, 709, 709-A, 714 thru 718-A, 726, 731, 733, 733-A, 734, 735, 737, 740, 743 thru 748, 751, 751-A, 758, 758-A, 760, 761, 768, 773 thru 777
			27	780105A	Bushing, Flanged
			28	786062	Chain, Roller (No. 41 chain, 22 links) Models 700, 701, 702, 703, 704, 705, 706, 707, 708, 709, 710, 713, 714, 715, 716, 717, 718, 719, 720, 722, 723, 724, 726, 734, 735, 742, 744, 745, 746, 750, 750-A
			28	786081	Chain, Roller (No. 41 chain, 24 links) Models 700-A, 702-A, 703-A, 704-A, 706-A, 708-A, 708-B, 709-A, 710-A, 713-A, 714-A, 715-A, 717-A, 718-A, 719-A, 720-A, 722-A, 723-A, 724-A, 730

(CONT. TOP OF NEXT PAGE)



TECUMSEH PRODUCTS COMPANY ENGINE AND GEAR SERVICE DIVISION

GRAFTON, WISCONSIN 53024

FILE IN:
DIVISION 8
SECTION B
Issued November 1973
Revised October 1983

PEERLESS "700" SERIES TRANSMISSIONS

Ref. No.	Part No.	Part Name	Ref. No.	Part No.	Part Name
		thru 733-A, 737, 739, 740, 743, 747, 748, 749, 751 thru 756, 758, 758-A, 760, 761, 762, 764, 766, 767, 768, 770 thru 779, 781, 782, 783	43A	780115	Washer, Thrust (1-1/8" I.D. x 1-3/4" O.D. x 3/16" thick)
29	780072	Race, Thrust	44	792074	Plug
30	780086	Bearing, Needle			Models 701, 709-A, 710, 710-A, 713 thru 715-A, 717 thru 718-A, 721, 725, 726, 727, 730, 731, 733, 733-A, 734, 735, 737, 743 thru 748, 750 thru 751-A, 753, 754, 754-A, 760, 763, 764, 767, 768, 769, 771, 771-A, 772, 777, 778, 779, 782, 783
31	792072	Ring, Retaining	45	786072	Spacer, Keyed (1-1/8" I.D. x 1-3/8" O.D. x 3/8" thick)
		All Models <u>except</u> 717 thru 718-A, 739, 747, 748, 751, 751-A, 758, 758-A, 760, 761, 772, 774, 781			Models 704, 704-A, 705, 709, 709-A, 713, 713-A, 716, 717, 717-A, 719, 719-A, 721 thru 723-A, 725, 726, 732, 733, 733-A, 734, 742 thru 745, 747, 749, 753, 755, 756, 760, 763, 766, 768, 769, 771, 771-A, 775, 777
32	792035	Ring, Retaining	45	780116	Washer (1-1/8" I.D. x 1-7/16" O.D. x 3/32" thick)
33	780109	Washer	46	786071	Model 737
		All Models <u>except</u> 722-A, 726, 734, 741, 742, 744, 745, 747, 748, 749, 759, 760, 763, 766, 771-A, 775, 777, 782	46	780117	Spacer (3/4" I.D. x 1-1/8" O.D. x 3/8" thick)
33	780139	Washer			Models 704, 704-A, 705, 709, 709-A, 713, 713-A, 716, 717, 717-A, 719, 719-A, 721 thru 723-A, 725, 726, 732, 733, 733-A, 734, 742 thru 745, 747, 749, 753, 755, 756, 760, 761, 763, 766, 768, 769, 771, 771-A, 775, 777
		Models 722-A, 726, 734, 741, 742, 744, 745, 747, 748, 749, 759, 760, 763, 766, 771-A, 775, 777, 782	46A	786071	Washer (3/4" I.D. x 1-1/8" O.D. x 1/8" thick)
34	788040	Ring, Retaining	46A	780117	Model 737
35	784271	Rod & Fork Assy., Shift	46B	780117	Washer (3/4" I.D. x 1-1/8" O.D. x 1/8" thick)
		Models 700, 700-A, 701, 703, 703-A, 706, 706-A, 707, 724, 724-A, 782	47	792083	Spacer (Use as required)
35	784267	Rod & Fork Assy., Shift	47A	786067	Spacer
		Models 702, 702-A, 705, 708 thru 710-A, 713 thru 715-A, 717 thru 718-A, 720, 720-A, 721, 723, 723-A, 726, 727, 730, 731, 732, 734, 735, 739, 740, 744, 745, 746, 748, 750 thru 752, 754, 754-A, 758, 758-A, 762, 763, 764, 767, 769, 770, 772, 773, 776 thru 779, 781, 783	47A	786092	Spacer
35	784270	Rod & Fork Assy., Shift	48	792001	Ring, "O"
		Models 704, 704-A, 719, 719-A, 722, 722-A, 725, 733, 733-A, 742, 743, 747, 749, 753, 755, 756, 760, 761, 766, 768, 771, 771-A, 774, 775	49	786069	Spacer, Output shaft
35	784282	Rod & Fork Assy., Shift	49	786085	Spacer, Output shaft
		Model 716	50	786068	Model 725
35	784224	Rod & Fork Assy., Shift	51	788054	Spacer, Countershaft
		Model 737			Models 721, 725, 727, 763, 769
36	792073	Screw, Hex hd. taptite, 1/4-20 x 1-1/4 (Use as required)	51		Gasket
36	792085	Screw, Hex hd. taptite, 1/4-20 x 2-1/4 (Use as required)	52	786086	Bracket
37	792089A	Key			Models 739, 750-A
38	792075	Nut, Lock, 5/16-24			
39	792076	Washer, Flat, 5/16"			
		All Models <u>except</u> 701, 709, 709-A, 714 thru 718-A, 726, 731, 733, 733-A, 734, 735, 737, 740, 743 thru 748, 751, 751-A, 758, 758-A, 760, 761, 768, 773 thru 777			
40	792077	Ball, Steel, 5/16"			
41	792078	Screw, Set, 3/8-16 x 3/8			
42	792079	Spring			
43	780108	Washer, Thrust (1-1/8" I.D. x 1-3/4" O.D. x 1/16" thick)			
43A	780108	Washer, Thrust (1-1/8" I.D. x 1-3/4" O.D. x 1/16" thick) (Use as required)			
		All Models <u>except</u> 737			

NOTE: Always check Master Parts Price List for possible replacement numbers.

FILE IN:
DIVISION 8
SECTION B
Issued November 1973
Revised October 1983

**TECUMSEH PRODUCTS COMPANY
ENGINE AND GEAR SERVICE DIVISION**

GRAFTON, WISCONSIN 53024

